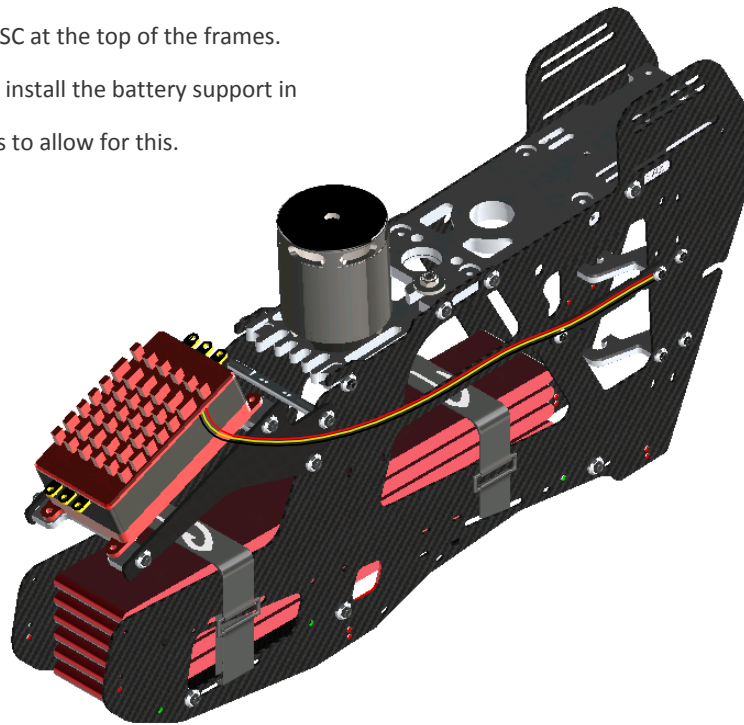


Please read this user manual carefully, it contains instructions for the correct assembly of the KIT.
Please refer to the website www.goblin-helicopter.com for updates and other important information. Thank You.

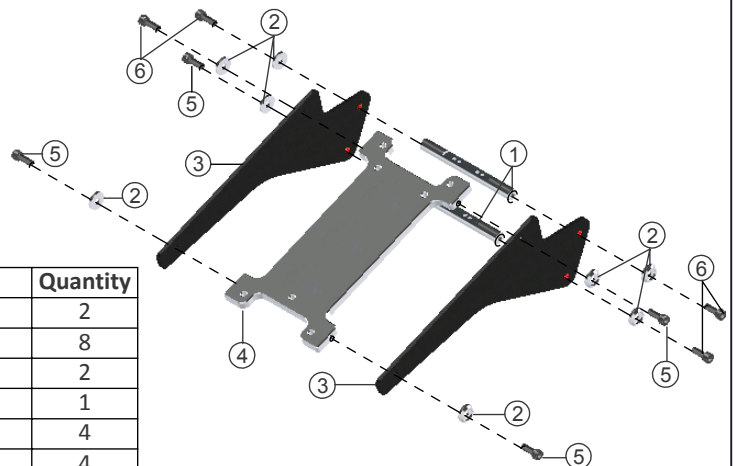
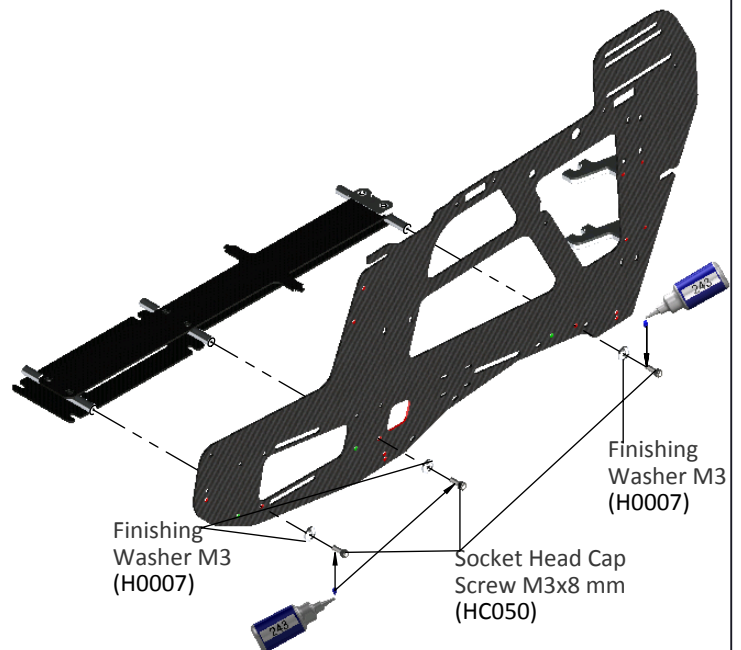
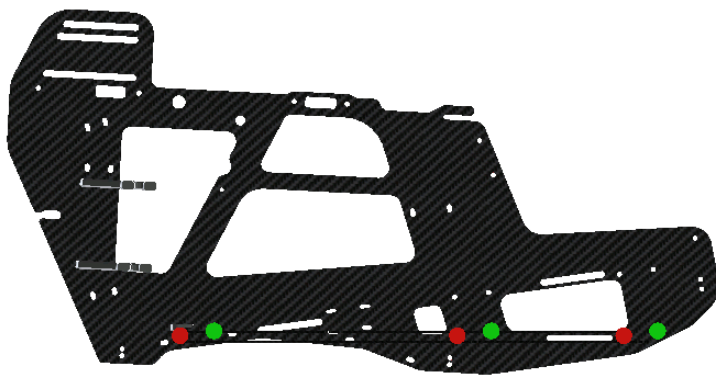
H0450-S allows you to install the ESC at the top of the frames.

In order for this to work, you must install the battery support in the horizontal (lower) position.
The side frames already have holes to allow for this.

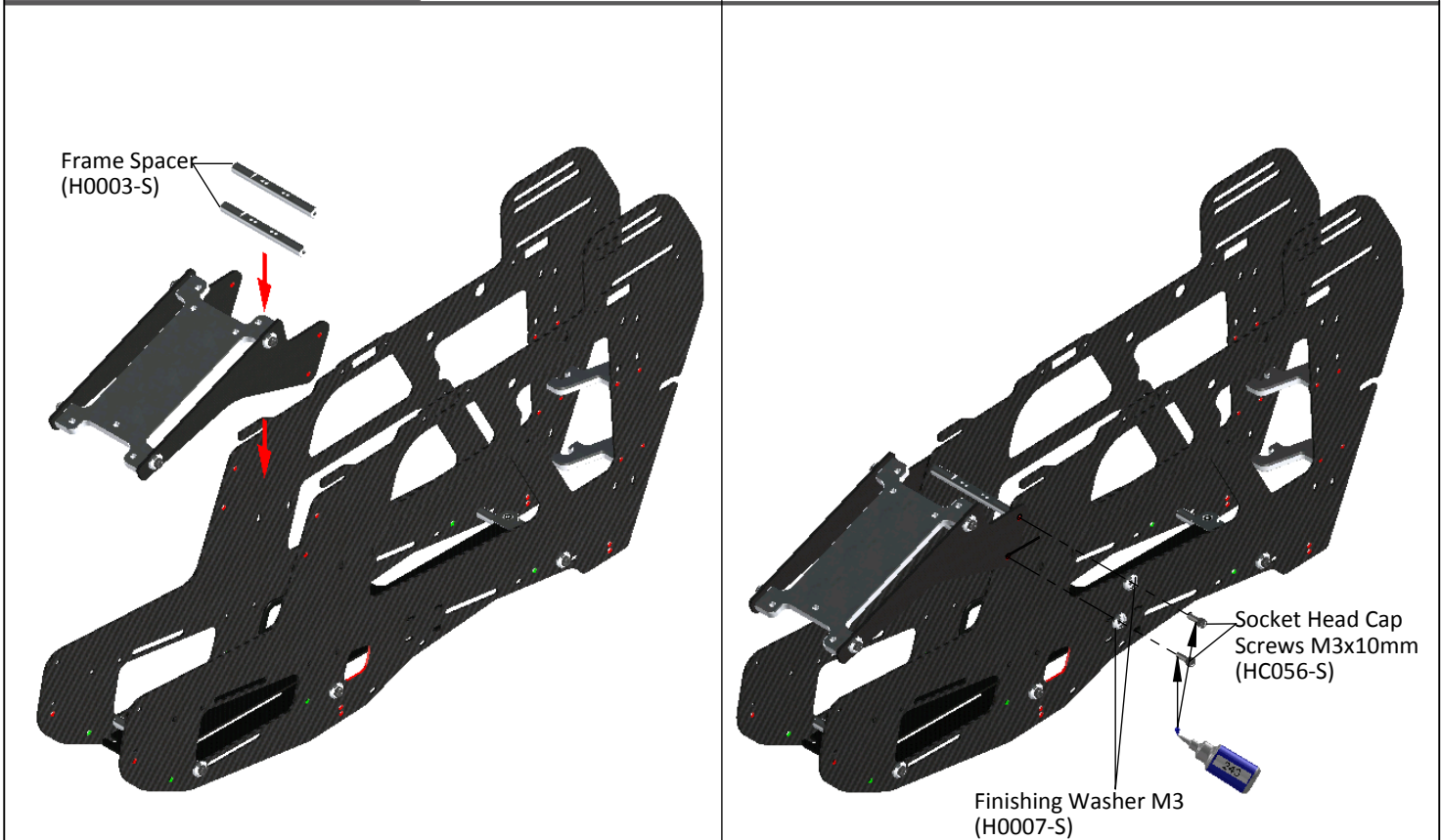


Install the battery support in the horizontal position

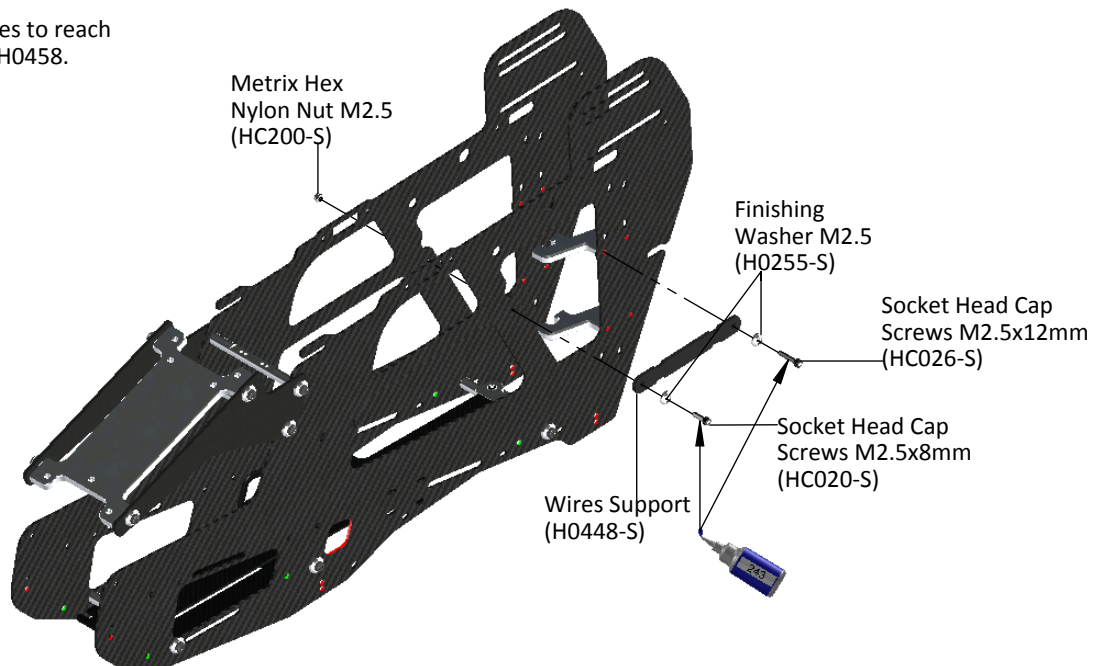
- Green position: Light batteries < 1500-1600 grams.
- Red position: Heavy batteries > 1600 -1700 grams.



Pos	Cod	Name	Specification	Quantity
1	H0003	Frame Spacer	Aluminum	2
2	H0007	Finishing Washer M3	Aluminum	8
3	H0447	ESC Carbon Support Urukay	Carbon Fiber	2
4	H0450	Top ESC Support	Aluminum	1
5	HC050	Socket Head Cap Screw	M3x8 mm	4
6	HC056	Socket Head Cap Screw	M3x10 mm	4



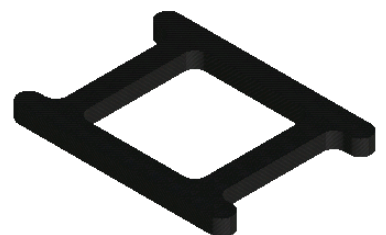
Install the support for the wires to reach the RX area you can use part H0458.



RECOMMENDATION

If your battery is not too high, you can use H0377, this will allow you to lock the batteries and can be installed under the front strap.

In the screws bag you can find 3 set screws M3x20mm. Use for install YGE 160 in the aluminum plate H0450.



H0377-S