



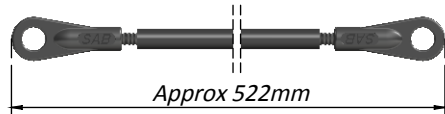


# GOBLIN 380 STRETCH KIT TO 420

Please read this user manual carefully, it contains instructions for the correct assembly of the KIT.  
Please refer to the website [www.goblin-helicopter.com](http://www.goblin-helicopter.com) for updates and other important information. Thank You.

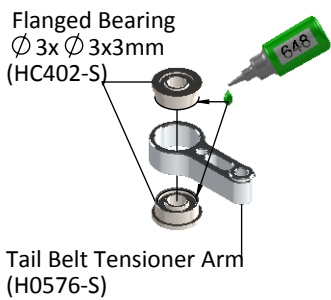
**!** It is recommended to use a smaller motor pulley with the new rotor size.  
Starting from a typical G380 setup, you have to consider a motor pulley with 1 or 2 teeth less for G420.

Assemble the components here below following the manual of the original Kit:

 <p>[H0863-S]-CK420 [H0864-S]-CK421</p>	 <p>Tail Pulley 20T [H0504-S]</p>	 <p>Main Blade 420 [420TB-S] Tail Blade 70 [BW070-S]</p>	 <p>Tail Belt [HC464-S]</p>	 <p>Approx 522mm Tail Push Rod [HC465-S]</p>
---	--	---	--	---

Refer to the following instructions to assemble the tail belt guide system.  
This solution is necessary with the new front tail pulley.

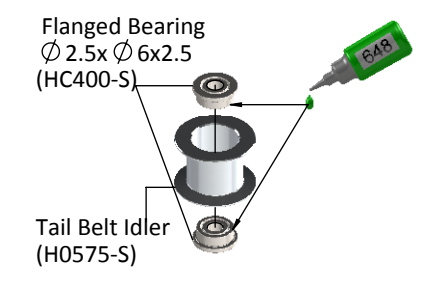
### Tail Belt Idler assembly



Flanged Bearing  
Ø 3x Ø 3x3mm  
(HC402-S)

Tail Belt Tensioner Arm  
(H0576-S)

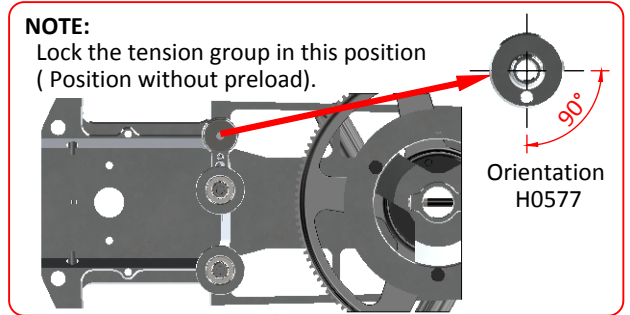
### Tail Belt Tensioner Arm assembly



Flanged Bearing  
Ø 2.5x Ø 6x2.5  
(HC400-S)

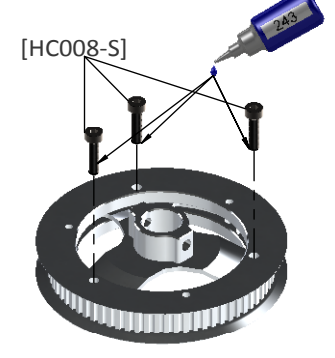
Tail Belt Idler  
(H0575-S)

**NOTE:**  
Lock the tension group in this position  
( Position without preload).

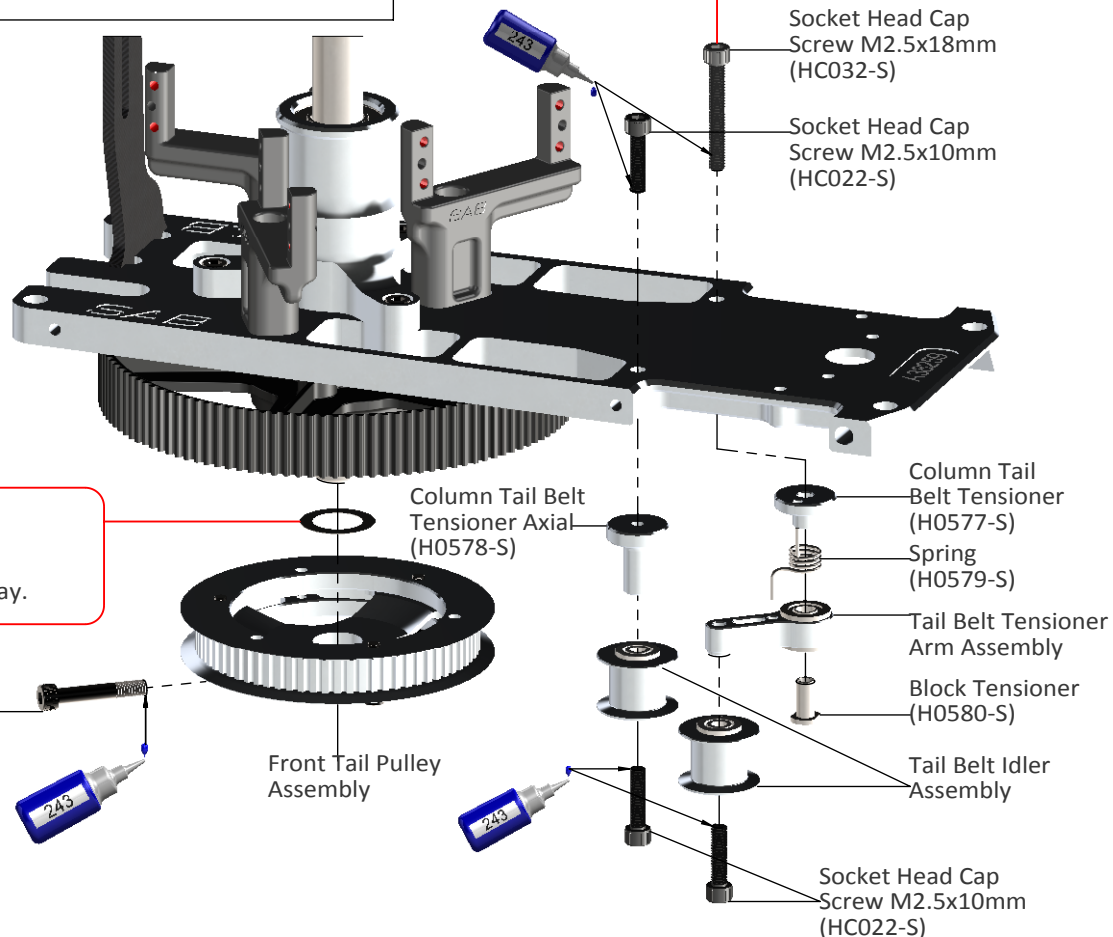


Orientation  
H0577

### Front Tail Pulley assembly (H0620-S)



[HC008-S]



Socket Head Cap Screw M2.5x18mm (HC032-S)

Socket Head Cap Screw M2.5x10mm (HC022-S)

Column Tail Belt Tensioner Axial (H0578-S)

Column Tail Belt Tensioner (H0577-S)

Spring (H0579-S)

Tail Belt Tensioner Arm Assembly

Block Tensioner (H0580-S)

Tail Belt Idler Assembly

Socket Head Cap Screw M2.5x10mm (HC022-S)

Shims Ø8xØ14x0,2mm (HC228-S)  
Add or remove shims to get approximately 0.2-0.4mm play.

Socket Head Cap Shoulder M2.5x15mm (HC031-S)

Front Tail Pulley Assembly