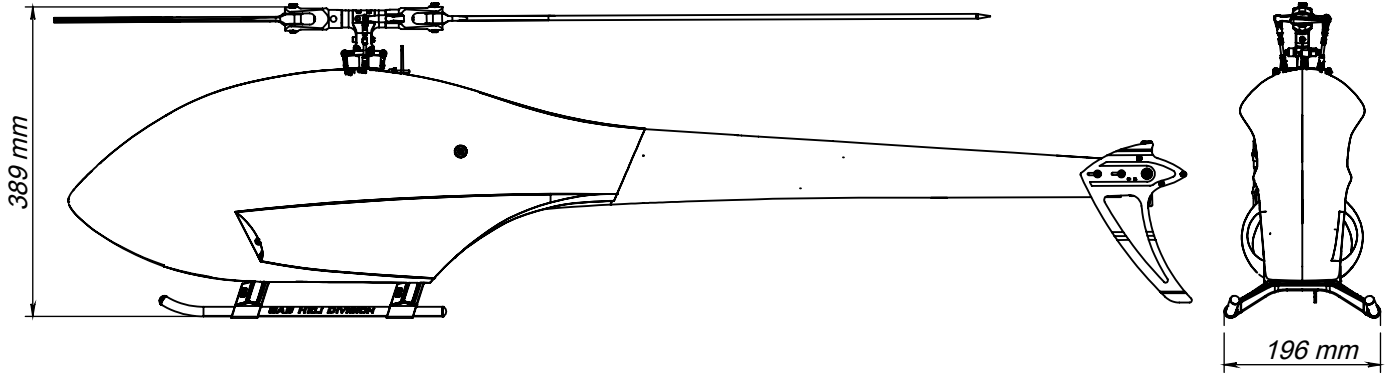


Please read this user manual carefully, it contains instructions for the correct assembly of the KIT.
Please refer to the website www.goblin-helicopter.com for updates and other important information. Thank You.

The H0454 landing gear makes the model position perfectly horizontal against the ground.
The landing gear width of almost 200 mm ensures stability.



There are two positions available to mount the landing gear. Position 1 provides a tail fin clearance of approximately 40 mm.
Position 2 provides less tail fin clearance, but allows the model to sit perfectly horizontal against the ground.

Standard Landing Gear



F3C Landing Gear (Position 1)



F3C Landing Gear (Position 2)

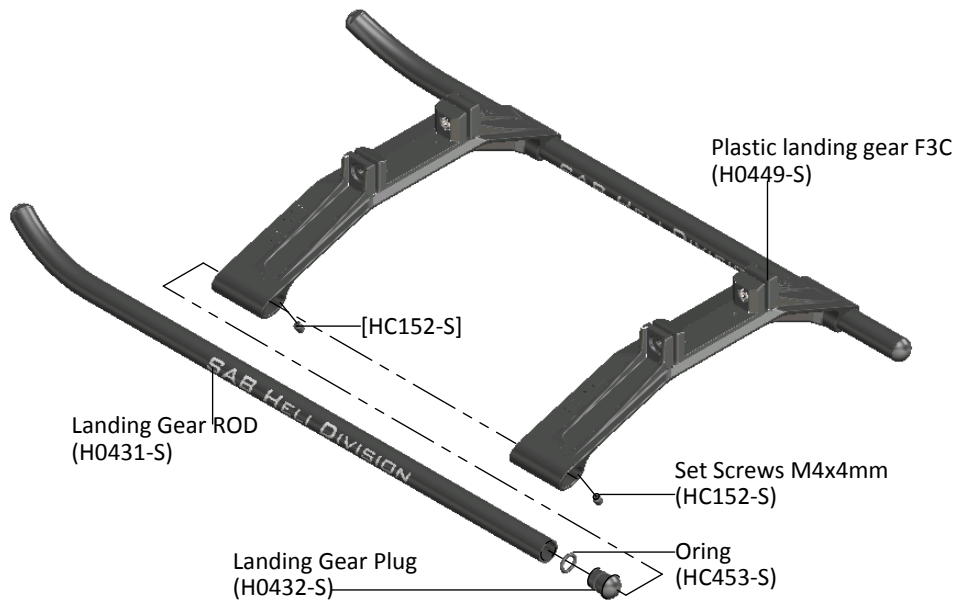




Metric Hex Nylon Nut M3 (HC206-S)

Note:

You can use Super Glue to lock the nuts in correct position



Plastic landing gear F3C (H0449-S)

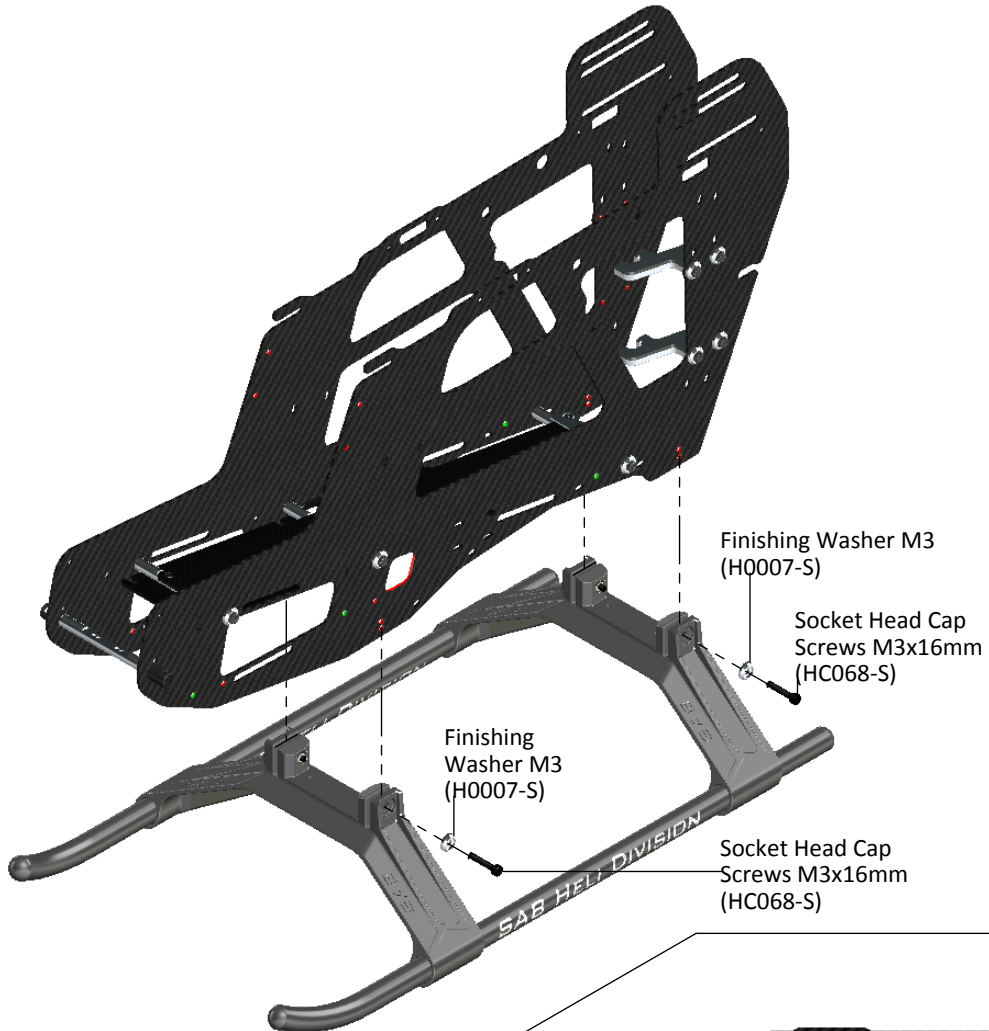
[HC152-S]

Landing Gear ROD (H0431-S)

Set Screws M4x4mm (HC152-S)

Landing Gear Plug (H0432-S)

Oring (HC453-S)



Finishing Washer M3 (H0007-S)

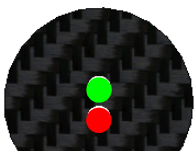
Socket Head Cap Screws M3x16mm (HC068-S)

Finishing Washer M3 (H0007-S)

Socket Head Cap Screws M3x16mm (HC068-S)

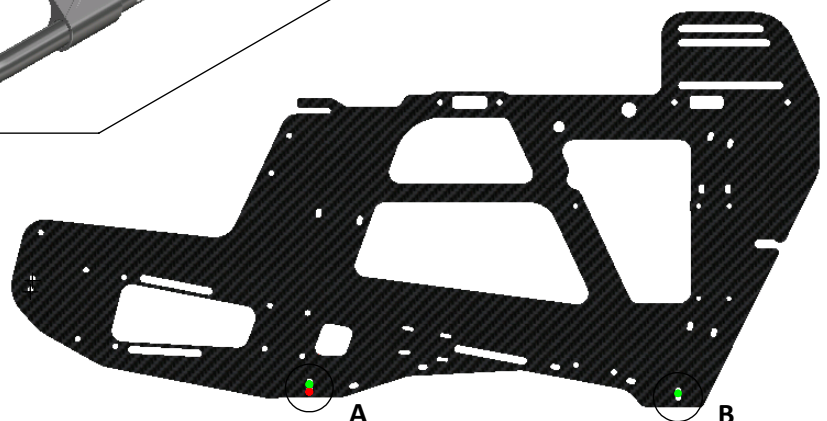
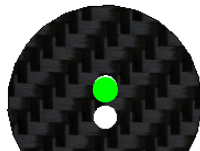
DETAIL A

Green hole (position 2).
Red hole (position 1).



DETAIL B

Use the Green hole.



A

B