



SE426

IL Pro  
GOBLIN

# HPS3 ROTOR TAIL [ H2470-K ]

## BAG 1

This KIT is designed to convert the 2-blade tail rotor of the IL Pro 426 and Raw 420 into a 3-blade tail rotor. Please read this user manual carefully, it contains instructions for the correct assembly of the KIT. Please refer to the website [www.goblin-helicopter.com](http://www.goblin-helicopter.com) for updates and other important information. Thanks You.

### NOTE:

It is normal for the tail to feel a bit tight after initial assembly as the tail spindle preload is usually high when the helicopter is brand new. The preload will loosen up after 2-5 flights allowing the system to become smooth.



Socket Head Cap Screw M2x6mm (HC004-S)

SMALLER ID

Washer  $\varnothing 2.1x \varnothing 4.5x0.5$  (H0566-S)

Thrust Bearing  $\varnothing 3x \varnothing 6x2.8mm$  (HC448-S)

Socket Head Cap Screw M2x6mm (HC004-S)

LARGER ID

Washer  $\varnothing 4.5x \varnothing 5.9x0.5$  (H0541) (H0540-S)

Tail Blade Grip Assembly (H1461-S)

Already Assembled

Bearing  $\varnothing 3x \varnothing 7x3$  (HC458-S)

Already Assembled

Shims  $\varnothing 3.1x \varnothing 4.5x0.1$  [HC757] (H2466-S)

Bushing M3-M2 [H2560] (H2468-S)

Washer  $\varnothing 2.2x \varnothing 4.5x0.2$  [HC708] (H2468-S)

Washer  $\varnothing 2.2x \varnothing 5x0.3$  (HC170-S)

Spacer 2x 3x3mm [H0076] (H2468-S)

HPS3 Tail Pitch Slider Link (H2468-S)

Washer  $\varnothing 2.2x \varnothing 5x0.3$  (HC170-S)

Button Head Cap Screw M2x6mm (HC609-S)

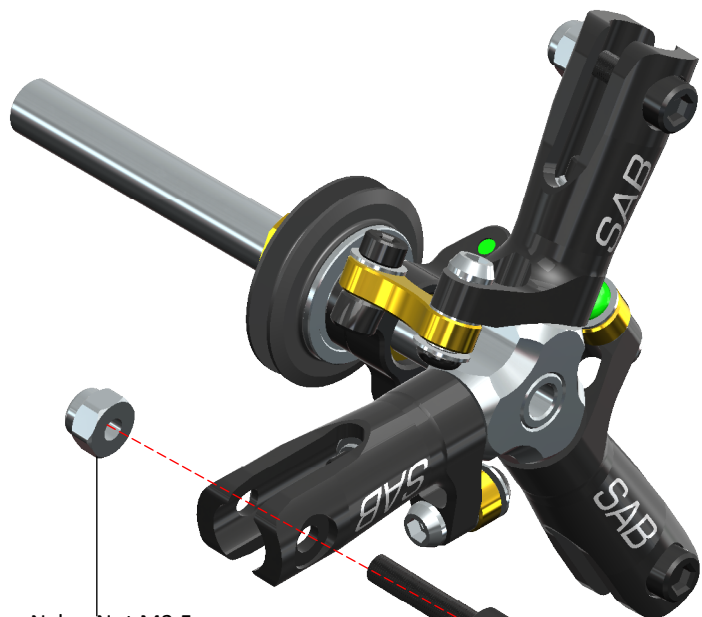
HPS3 Tail Hub (H2466-S)

Set Screw M3x4mm (HC500-S)

Tail Pitch Slider Assembly (H2467-S)

Already Assembled

HPS3 Tail Shaft (H2465-S)



Nylon Nut M2.5  
(HC200-S)

Socket Head Cap  
Screw M2.5x12mm  
(HC026-S)

### RECOMMENDATIONS

- \* These parts should be used only with models SAB.
- \* Please follow all the instructions shown in the Goblin main manual. In this manual please read Chapter 2, Important notes.
- \* Use Loctite on all threads.
- \* Prior to use, lubricate all movements with sprat lubricant.
- \* Possible to use with the follow Tail blades:

**SAB blades for 3 blades tail rotor 70 mm**  
**SAB blades for 3 blades tail rotor 72 mm**

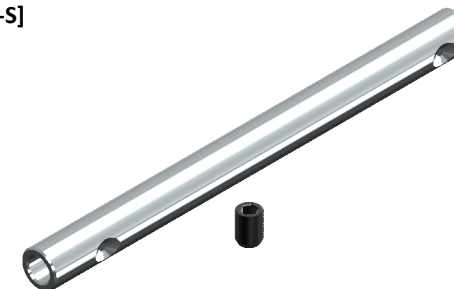
### SPARE PARTS

#### Tail Blade Grip [H1461-S]



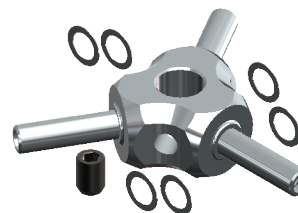
- 2 x Tail Blade Grip.
- 2 x Bearing  $\varnothing 3 \times \varnothing 7 \times 3$ .
- 2 x Bearing  $\varnothing 3 \times \varnothing 6 \times 2.5$ .
- 2 x Washer  $\varnothing 4,5 \times \varnothing 5,9 \times 0,5$ .
- 2 x Washer  $\varnothing 2,1 \times \varnothing 4,5 \times 0,5$ .
- 2 x Socket Head Cap Screws M2x6mm.
- 2 x Thrust Bearing  $\varnothing 3 \times \varnothing 6 \times 2,8$ .

#### HPS3 Tail Shaft [H2465-S]



- 1 x HPS3 Tail Shaft.
- 1 x Set Screw M3x5mm.

#### HPS3 Tail Hub [H2466-S]



- 1 x HPS3 Tail Hub.
- 1 x Set Screw M3x5mm.
- 6 x Shims  $\varnothing 3,1 \times \varnothing 4,5 \times 0,1$ mm.

#### HPS3 Tail Pitch Slider [H2467-S]



- 1 x HPS3 Tail Pitch Slider.

#### HPS3 Tail Pitch Slider Link [H2468-S]



- 3 x HPS3 Tail Pitch Slider Link.
- 6 x Bushing  $\varnothing 2 \times \varnothing 3 \times 3$ mm.
- 3 x Bushing M3-M2.
- 6 x Washer  $\varnothing 2,2 \times \varnothing 5 \times 0,3$ mm.
- 3 x Washer  $\varnothing 2,2 \times \varnothing 4,5 \times 0,2$ mm.
- 3 x Socket Head Cap Screws M2x6mm.
- 3 x Button Head Cap Screws M2x6mm.